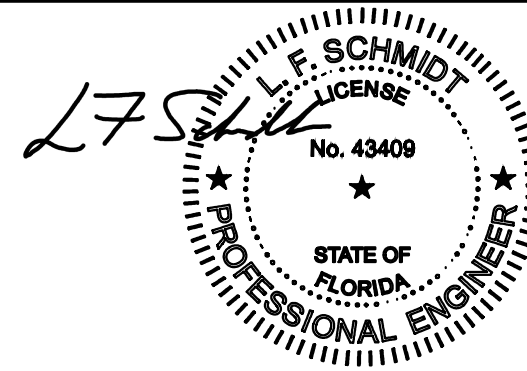




215 EAST ROOSEVELT AVE.
ZEELAND, MI 49464



This item has been digitally signed and sealed by L. F. Schmidt, P.E. on the date adjacent to the seal. Printed copies of this document are not considered signed and sealed and the signature must be verified on any electronic copies.

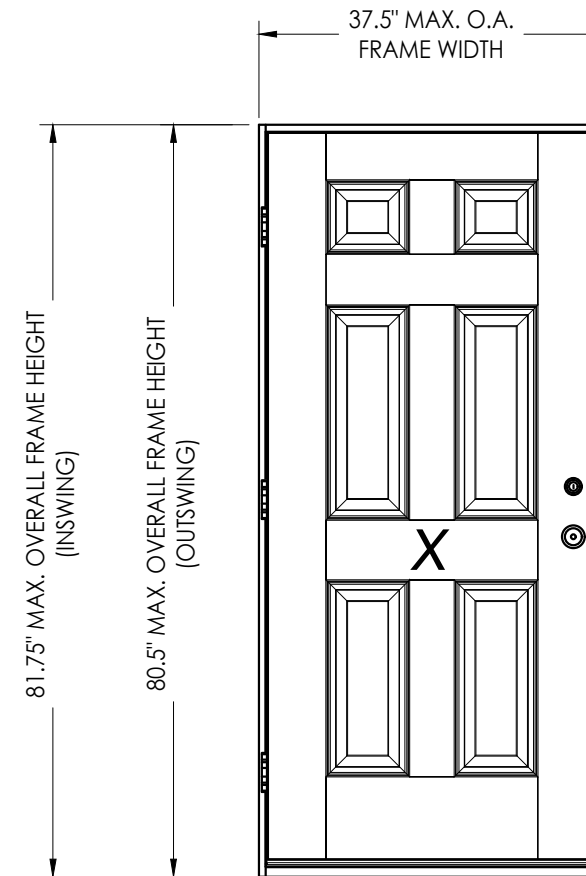
THIS PRODUCT APPROVAL IS VALID ONLY FOR THE STATE OF FLORIDA

OPAQUE FIBERGLASS DOOR SINGLE

INSWING/OUTSWING "NON-IMPACT"

GENERAL NOTES

- This product has been evaluated and is in compliance with the 8th Edition (2023) Florida Building Code (FBC) structural requirements excluding the "High Velocity Hurricane Zone" (HVHZ).
- Product anchors shall be as listed and spaced as shown on details. Anchor embedment to base material shall be beyond wall dressing or stucco.
- When used in areas requiring wind borne debris protection this product is required to be protected with an impact resistant covering that complies with FBC Sections 1609.1.2 & R301.2.1.2 of the FBC.
- For 2x stud framing construction, anchoring of these units shall be the same as that shown for 2x buck masonry construction.
- Site conditions that deviate from the details of this drawing require further engineering analysis by a licensed engineer or registered architect.



CONFIGURATION	MAX. FRAME DIMENSION	DESIGN PRESSURE (PSF) INSWING		DESIGN PRESSURE (PSF) OUTSWING	
		POSITIVE	NEGATIVE	POSITIVE	NEGATIVE
X	37.5" x 81.75"	+65.0	-70.0	+65.0	-65.0

TABLE OF CONTENTS	
SHEET #	DESCRIPTION
1	Typical Elevations, Design Pressures & General Notes
2	Door Panel Details
3	Horizontal & Vertical Cross Sections (2X Buck)
4	Horizontal & Vertical Cross Sections (1X Buck)
5	Horizontal & Vertical Cross Sections (Direct to Masonry)
6	Vertical Cross Sections (Thresholds)
7	Buck & Frame Anchoring & Hardware Details
8	Bill of Materials & Components

Documents Prepared By:
Lyndon F. Schmidt
P.E. No. 43409

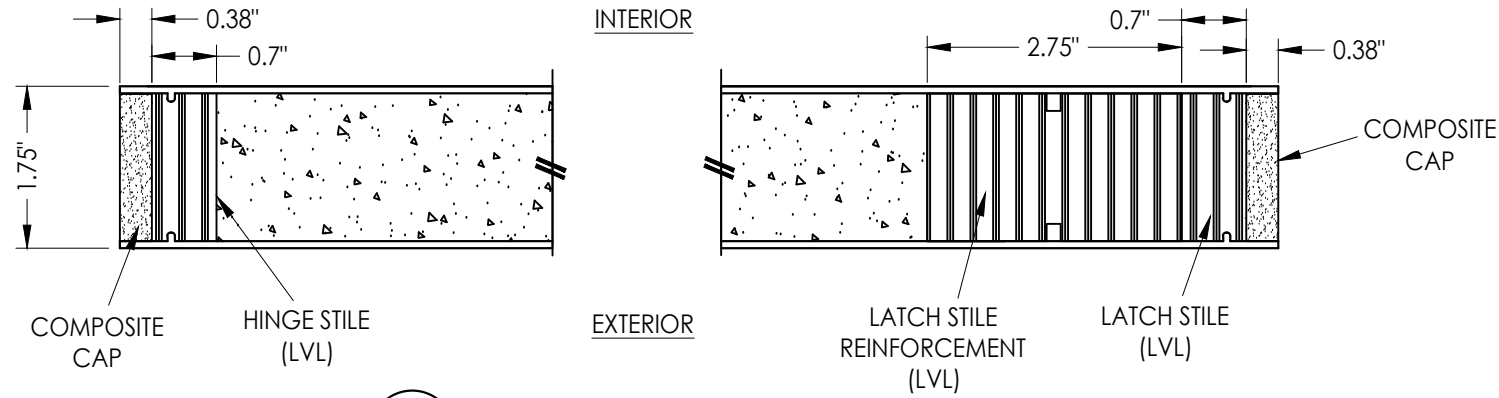
RW BUILDING CONSULTANTS, INC.
P.O. Box 230, Vairico, FL 33595
Phone No.: 813.659.9197
FBPE Registry No. 9813

PRODUCT: ODL FIBERGLASS DOOR

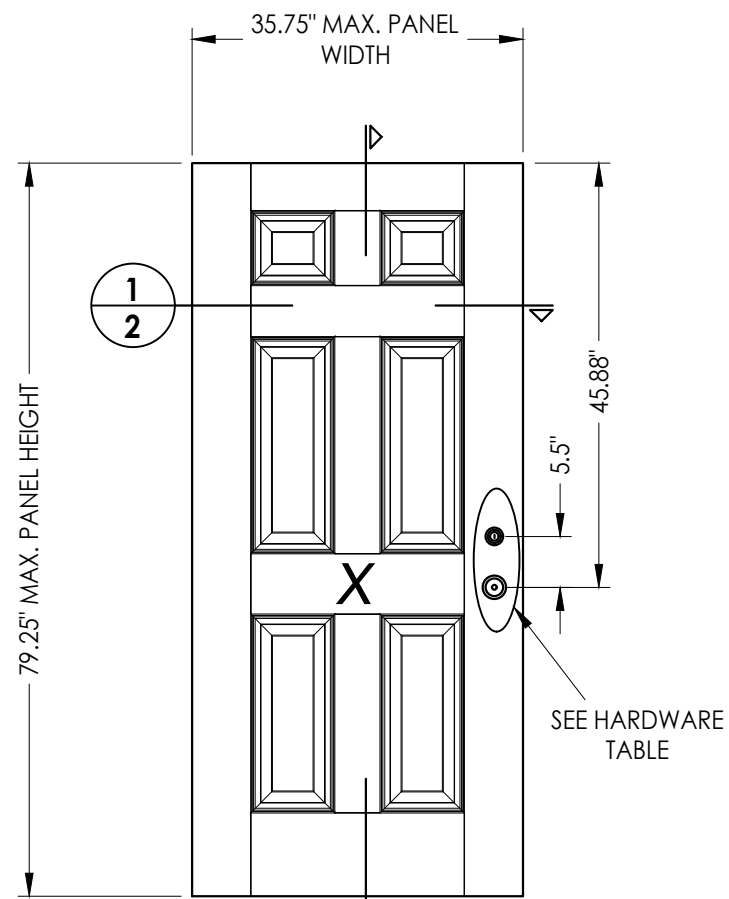
PART OR ASSEMBLY: TYPICAL ELEVATION, DESIGN PRESSURES & GENERAL NOTES

NO.	DATE	BY	REVISIONS

DATE: 2/15/24
SCALE: N.T.S.
DWG. BY: LFS
CHK. BY: RW
DRAWING NO.: FL-46116.1
SHEET 1 OF 8



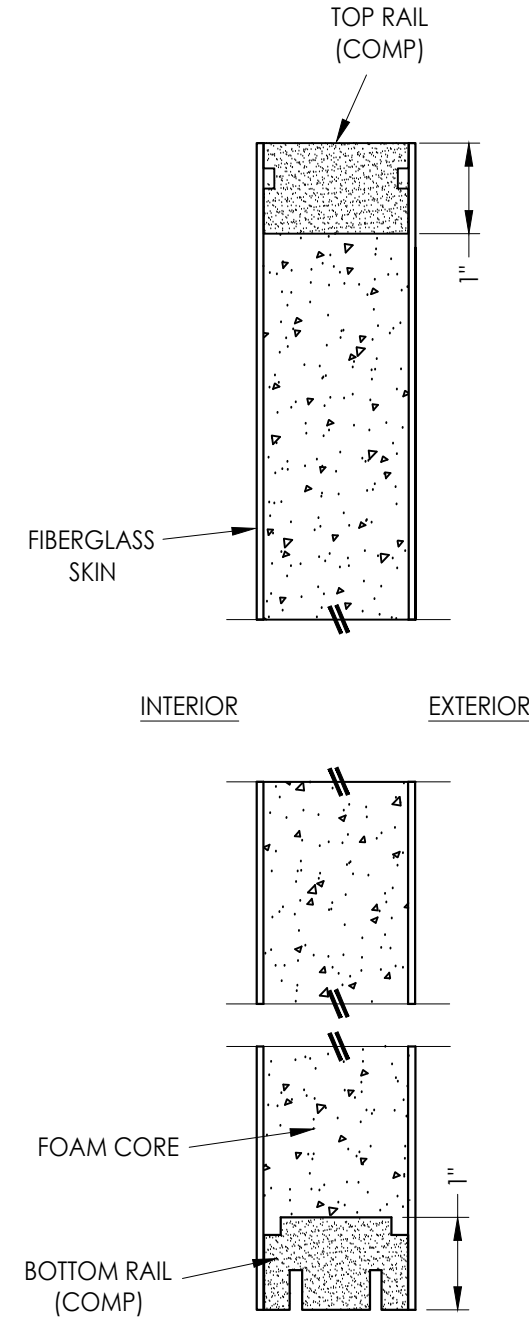
1
2 HORIZONTAL CROSS SECTION



2
2 FIBERGLASS DOOR PANEL
ODL

FIBERGLASS SKIN: 0.070" MIN. THK.
FOAM CORE: POLYURETHANE (1.9 PCF MIN.)

HARDWARE CHART	
MANUFACTURER	MODEL
KWIKSET	KNOB: SIGNATURE SERIES
	DEADBOLT: SIGNATURE SERIES (980)
SCHLAGE	KNOB: F SERIES
	DEADBOLT: B60 SERIES



2
2 VERTICAL CROSS SECTION

Documents Prepared By:
Lyndon F. Schmidt
P.E. No. 43409

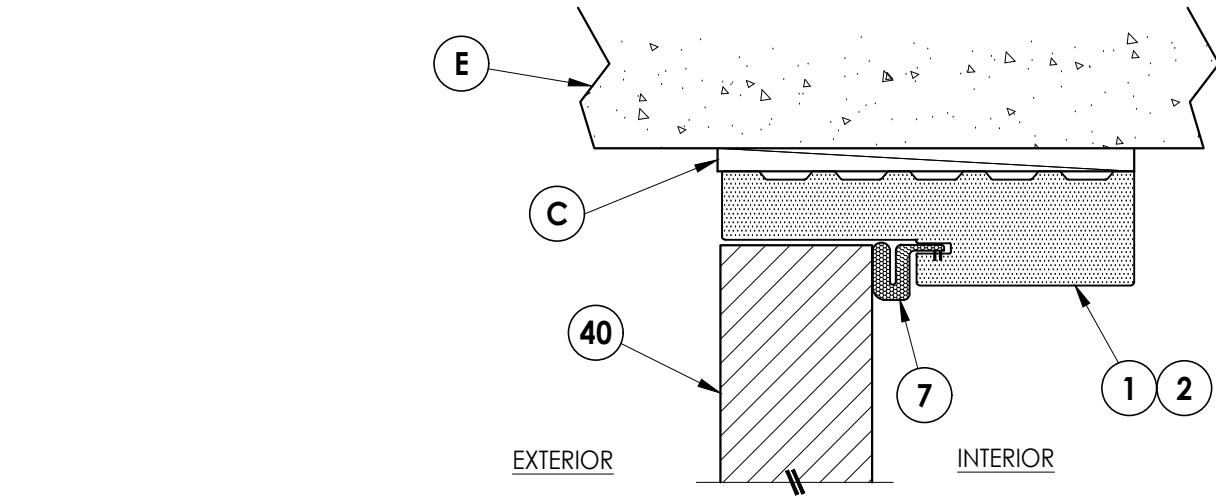
RW BUILDING CONSULTANTS, INC.
P.O. Box 230, Valrico, FL 33595
Phone No.: 813.659.9197
FBPE Registry No. 9813

PRODUCT: ODL
FIBERGLASS DOOR

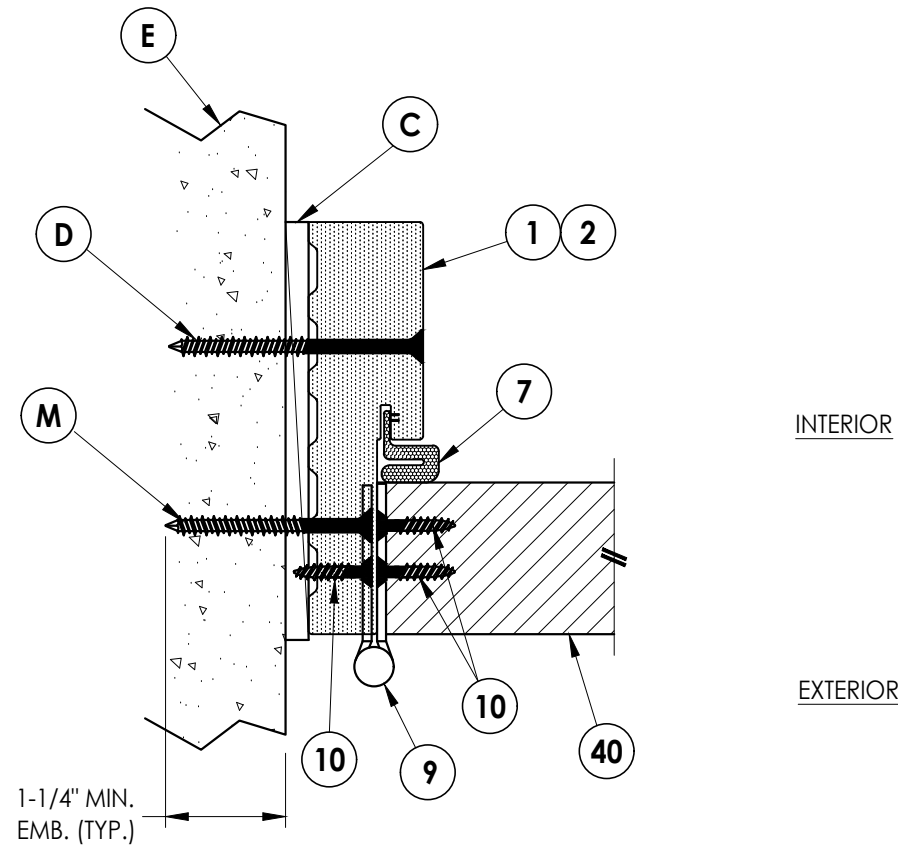
PART OR ASSEMBLY:
DOOR & SIDELITE
PANEL DETAILS

NO.	DATE	BY

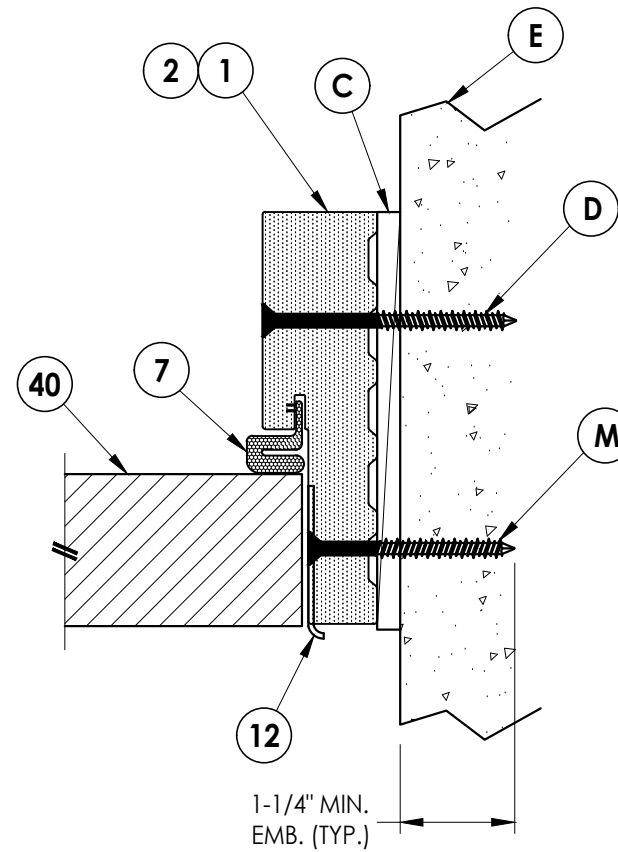
DATE: 2/15/24
SCALE: N.T.S.
DWG. BY: LFS
CHK. BY: RW
DRAWING NO.:
FL-46116.1
SHEET 2 OF 8



3 **VERTICAL CROSS SECTION**
5 Outswing Shown (Inswing Similar)
 Shown Direct to Masonry



1 **HORIZONTAL CROSS SECTION**
5 Outswing Shown (Inswing Similar)
 Shown Direct to Masonry



2 **HORIZONTAL CROSS SECTION**
5 Outswing Shown (Inswing Similar)
 Shown Direct to Masonry

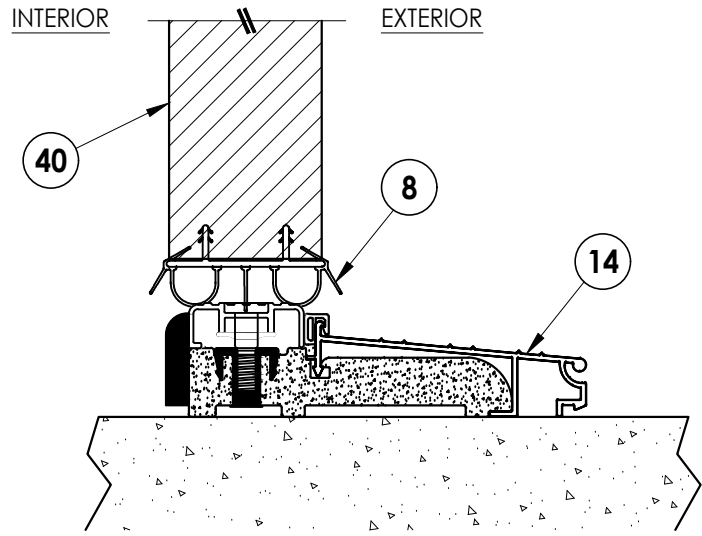
Documents Prepared By:
 Lyndon F. Schmidt
 P.E. No. 43409

RW BUILDING CONSULTANTS, INC.
 P.O. Box 230, Valrico, FL 33595
 Phone No.: 813.659.9197
 FBPE Registry No. 9813

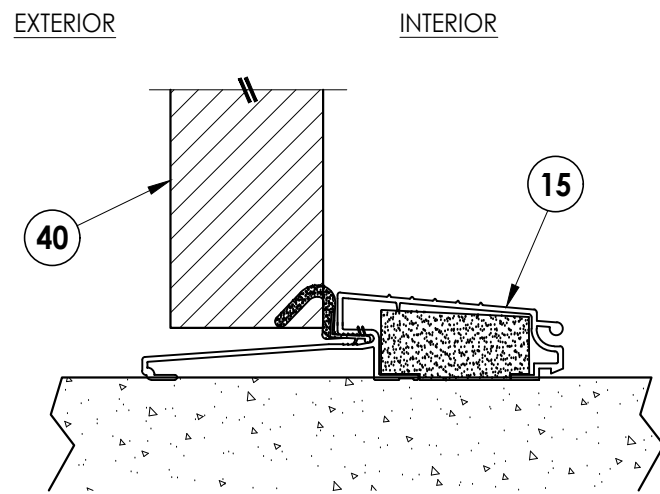
PRODUCT: ODL
 FIBERGLASS DOOR
 PART OR ASSEMBLY:
 HORIZONTAL & VERTICAL CROSS
 SECTIONS (DIRECT TO MASONRY)

NO.	DATE	BY	REVISIONS

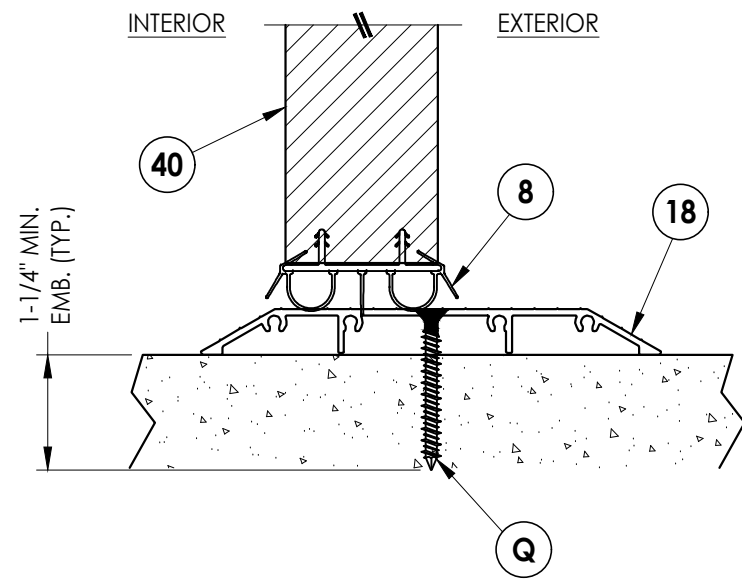
DATE: 2/15/24
 SCALE: N.T.S.
 DWG. BY: LFS
 CHK. BY: RW
 DRAWING NO.:
 FL-46116.1
 SHEET 5 OF 8



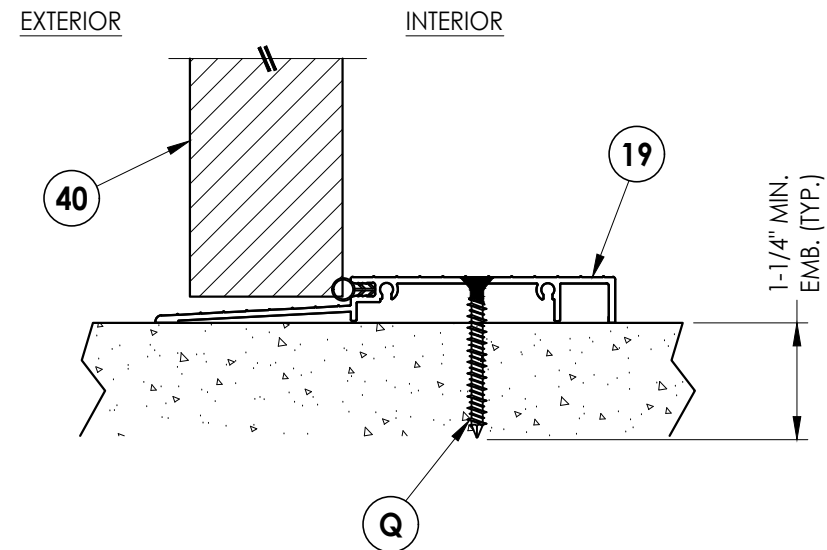
1
6 **VERTICAL CROSS SECTION**
Inswing Sill



2
6 **VERTICAL CROSS SECTION**
Outswing Sill



3
6 **VERTICAL CROSS SECTION**
ADA Sill



4
6 **VERTICAL CROSS SECTION**
ADA Outswing Sill

Documents Prepared By:
Lyndon F. Schmidt
P.E. No. 4-3409

RW BUILDING CONSULTANTS, INC.
P.O. Box 230, Valrico, FL 33595
Phone No.: 813.659.9197
FBPE Registry No. 9813

PRODUCT:	ODL FIBERGLASS DOOR
PART OR ASSEMBLY:	VERTICAL CROSS SECTIONS (THRESHOLDS)

NO.	DATE	BY	REVISIONS

DATE:	2/15/24
SCALE:	N.T.S.
DWG. BY:	LFS
CHK. BY:	RW
DRAWING NO.:	FL-46116.1
SHEET	6 OF 8

